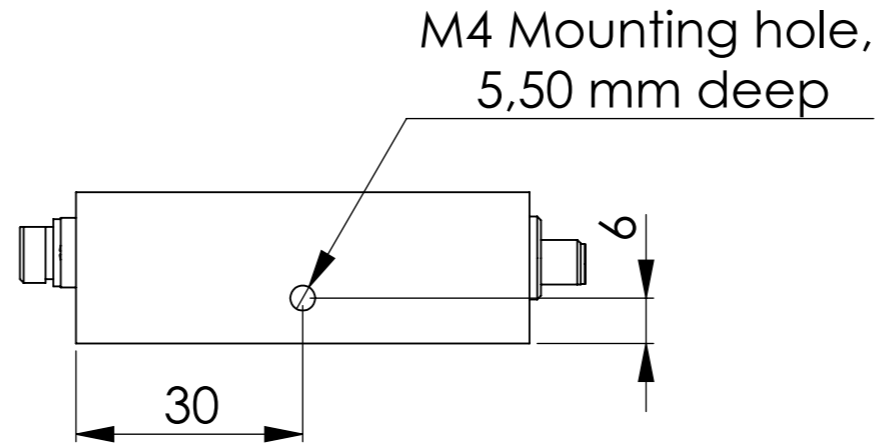
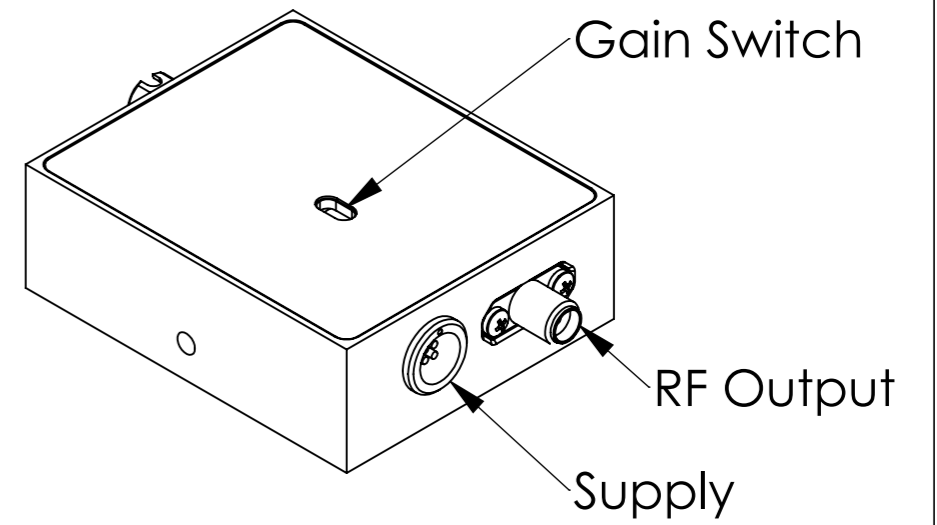


Optical Input



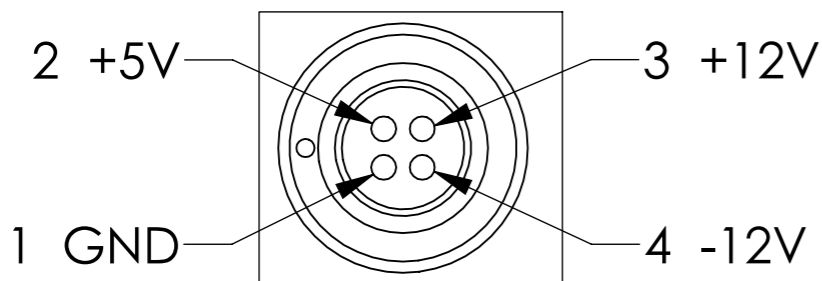
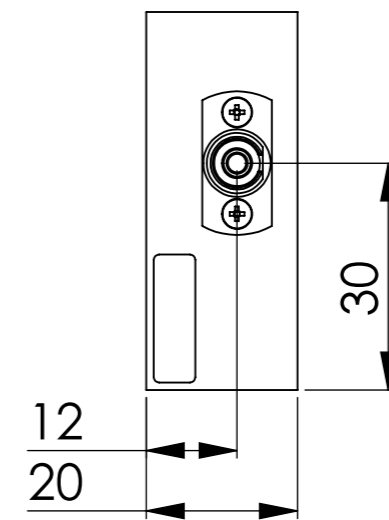
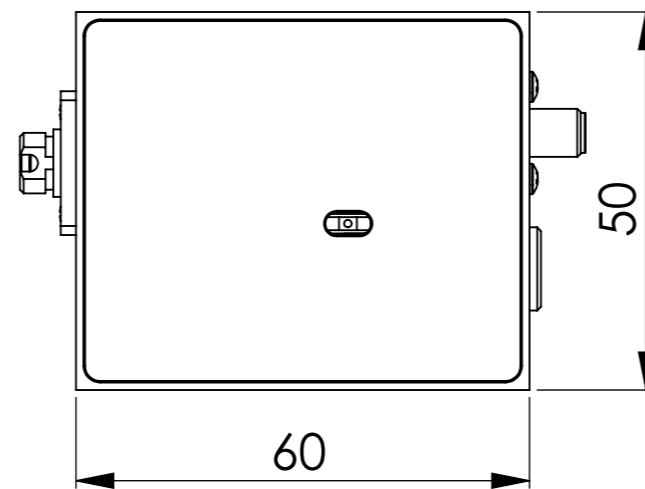
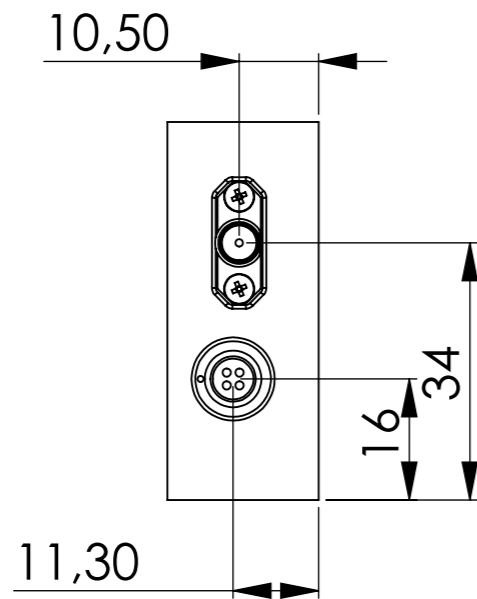
M4 Mounting hole,  
5,50 mm deep



Gain Switch

RF Output

Supply



Recommended connector:  
Fischerconnectors S 102 Z053-130 +

The copying, distribution and utilization of this document as well as the communication of its content to others without expressed authorization is prohibited. Offenders will be held liable for the payment of damages. All rights reserved in the event of the grant of a patent, utility model or ornamental design registration.

Config	
PA	
Proj./Syst	
Struct/Therm	
Approved	
Datum	
Name	

Wenn nicht anders angegeben: Einheiten in Millimeter Oberfläche: Toleranzen: DIN ISO 2768		Oberflächenbehandlung:		Gratfrei nach DIN ISO 13715 Außenkanten -0,2 Innenkanten +0,2		<b>MenloSystems</b> Tel.: 089/189 166-0 Tel.: 089/189 166-111		SYSTEM:	
				DATE		NAME		ITEM:	
				PREPARED		21.07.2017		AW	
				CHECKED		21.07.2017		VH	
				MATERIAL:				DOC NO.	
								<b>FPD310-FC-VIS</b>	
000		Erstellt		21.07.2017		AW		SHEET 1	
ISSUE		CHANGE		DATE		NAME		WEIGHT: g	
								SCALE:1:1	
								DO NOT SCALE DRAWING	
								OF 1	

High Sensitivity Fast  
Photodetector

**FPD310-FC-VIS**

**A3**