

TPX35/50/100/200

MenloSystems

Lenses for THz Radiation

TPX35

TPX50

TPX100

TPX200



Our plano-convex, aspherical TPX lens series is optimized for collimation and focusing in THz optics.

The TPX35 is a lens with an effective focal length (EFL) of 35 mm and a diameter of 1", designed for optimal collimation of highly divergent THz radiation. The TPX50 is a 1.5" lens with 50 mm EFL, featuring the same numerical aperture as the TPX35. Both TPX35 and TPX50 are optimized for collimation in combination with our TERA15-FC antenna series.

TPX100 and TPX200 are 1.5" lenses with 100 mm and 200 mm EFL, respectively, optimized for focusing the THz radiation for increased working distance in the terahertz path.

The TPX35 is mounted in a 1" lens holder with a clear aperture of 23.0 mm, the TPX50/100/200 lenses are mounted in a 1.5" lens holder with a clear aperture of 35.5 mm.

KEY SPECIFICATIONS

- Broadband THz Transmission
- Light-Weight TPX Material, Transparent for 780 nm and 1560 nm
- TPX35: EFL 35 mm
- TPX50: EFL 50 mm
- TPX100: EFL 100 mm
- TPX200: EFL 200 mm

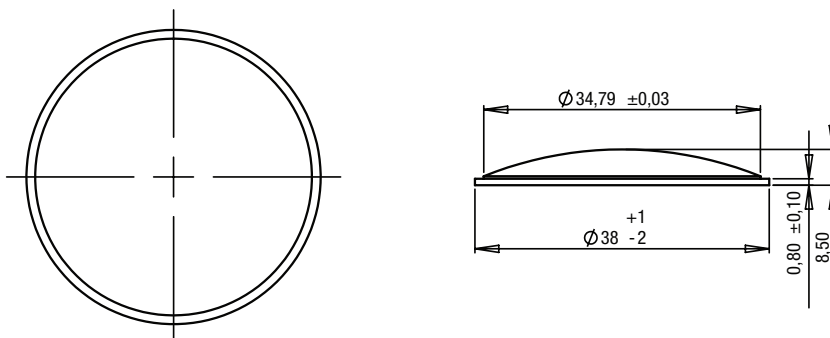
APPLICATIONS

- THz Collimation and Focusing
- Broadband THz Spectroscopy

FEATURES

- Broadband Transparency in THz Regime
- Optically clear Light-Weight TPX Material for Long Term Stability
- Mounted with Free Aperture of 23.0 mm (1") / 35.5 mm (1.5")

TECHNICAL DRAWING TPX50



TPX35/50/100/200

MenloSystems

Lenses for THz Radiation

SPECIFICATIONS	TPX35	TPX50	TPX100	TPX200
Wavelength	Broadband THz range	Broadband THz range	Broadband THz range	Broadband THz range
Material	TPX polymer	TPX polymer	TPX polymer	TPX polymer
Lens Geometry	plano convex, aspheric	plano convex, aspheric	plano convex, aspheric	plano convex, aspheric
EFL Effective Focal Length	35 mm	50 mm	100 mm	200 mm
Lens Dimensions	1"/25.4 mm diameter	1.5"/38 mm diameter	1.5"/38 mm diameter	1.5"/38 mm diameter

MOUNTING EXAMPLE*



*delivered without rail and post holders

ORDERING INFORMATION

Product Code	TPX35	TPX50	TPX100	TPX200
--------------	-------	-------	--------	--------

For OEM quantities please call for pricing. Prices and Specifications are subject to change without notice.

MenloSystems

Menlo Systems GmbH
T+49 89 189 166 0
sales@menlosystems.com

Menlo Systems US
T+1 303 635 6406
ussales@menlosystems.com

Menlo Systems Japan
T+81 907 409 20 21
jpsales@menlosystems.com

Menlo Systems China
T+86 21 6071 1678
chinasales@menlosystems.com

