

TERA15-FC

Fiber Coupled THz Antennas for 1560 nm

MenloSystems



KEY SPECIFICATIONS

- >6 THz Bandwidth
- >100 dB Dynamic Range
- Linearly Polarized THz Output
- PM Fiber Coupling

APPLICATIONS

- THz Generation & THz Detection
- THz Imaging
- OEM Supplies

FEATURES

- Optimized for Lasers around 1560 nm and Pulse Width <100 fs at 100 MHz Repetition Rate
- Higher Bias Voltage with Unipolar Modulation
- Specific Antenna Design for Emitter / Receiver Applications
- Flexible Fiber Coupled Modules
- Two Perpendicular Mounting Possibilities (M4 Thread)

RECOMMENDED LASER SOURCES

- ELMO HP
- C-Fiber

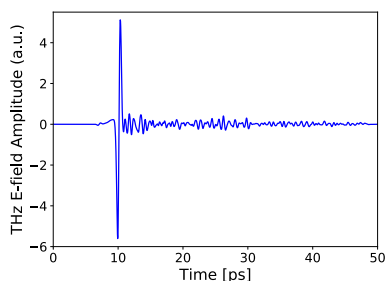
OPTIONS

- **Reflection Head**
Compact Sensor Unit with Integrated THz Optics

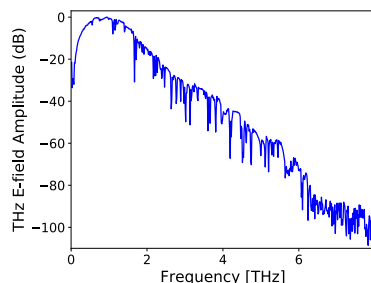
Our fiber coupled TERA15-FC antenna modules for 1560 nm laser wavelength are the unique solution for flexible and robust all-fiber THz-TDS systems. The high-power antenna technology is based on InGaAs/InAlAs multilayered mesa structures with high voltage biasing of the emitter. For highest THz bandwidth we provide optimized structures for emitter and detector. The polarization maintaining (PM) coupling fiber ensures reliable and stable operation even under harsh environmental conditions.

PERFORMANCE DATA

THz pulse measured in ambient air*



THz spectrum showing absorption lines of atmospheric water vapor



*Measured with TeraSmart, settings: 50 ps scan window measured at 24 Hz scan speed to achieve >6 THz and >95 dB in 60 sec.

TERA15-FC

MenloSystems
■■■■■■■■■■

Fiber Coupled THz Antennas for 1560 nm

SPECIFICATIONS	TERA15-TX-FC EMITTER	TERA15-RX-FC RECEIVER
Photoconductive Material	Fe:InGaAs/InAlAs	LT InGaAs/InAlAs
Spectral Photosensitivity	up to 1.57 μm	up to 1.57 μm
THz Beam Divergence	$\pm 12.5^\circ$ FWHM (measured with Golay cell)	$\pm 12.5^\circ$ FWHM (measured with Golay cell)
THz Power	up to 60 μW (measured with calibrated pyrodetector)	n.a.
Electrical Connection	1 m connector cable, LEMO 0S	1 m SMB connector cable, BNC adapter
Fiber Patch Cord	l = 100 cm, FC/APC connector, PM-PANDA fiber; SMF28 fiber on request	l = 100 cm, FC/APC connector, PM-PANDA fiber; SMF28 fiber on request

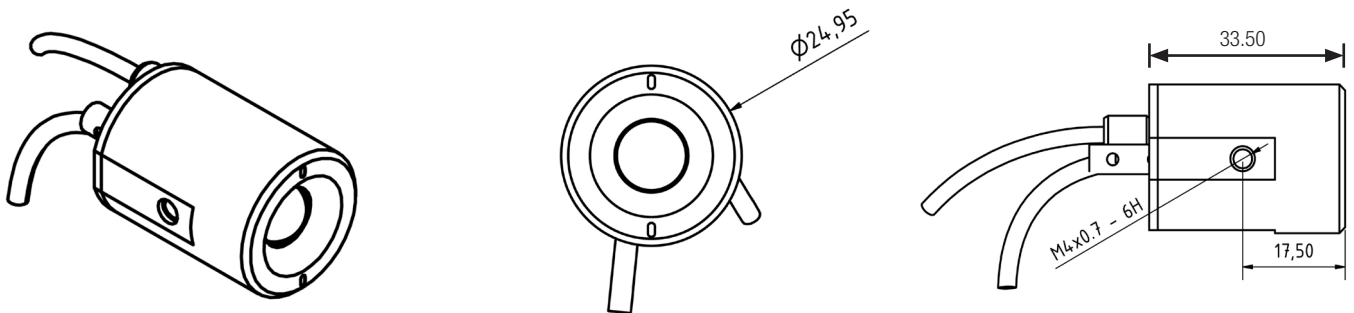
OPERATION CONDITIONS

Average Optical Power	<30 mW	<30 mW
Optical Pulse Duration	<100 fs	<100 fs
Repetition Rate	100 MHz (80...250 MHz)	100 MHz (80...250 MHz)
Bias Voltage	100 V (unipolar), 0 - 100 V modulation	n.a.
Modulation Frequency	up to 75 kHz (unipolar)	n.a.

Please refer to the recommended laser parameters and bias voltage. Improper use or experimental conditions are excluded from warranty.

Caution: Maximum optical power 30 mW at emitter, 30 mW at receiver at 100 MHz laser repetition rate.

ANTENNA



ORDERING INFORMATION

Product Code	TERA15-TX-FC	TERA15-RX-FC
--------------	--------------	--------------

Please call for pricing. Specifications are subject to change without notice. Custom modifications are available, please inquire.

MenloSystems
■■■■■■■■■■

Menlo Systems GmbH
T+49 89 189 166 0
sales@menlosystems.com

Menlo Systems, Inc.
T+1 973 300 4490
ussales@menlosystems.com

Thorlabs, Inc.
T+1 973 579 7227
sales@thorlabs.com

