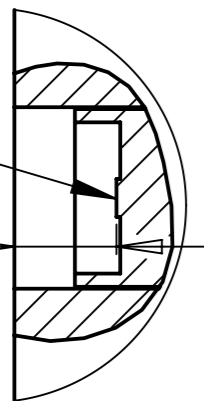


DETAIL A
MAßSTAB 5 : 1

Photosensitive surface

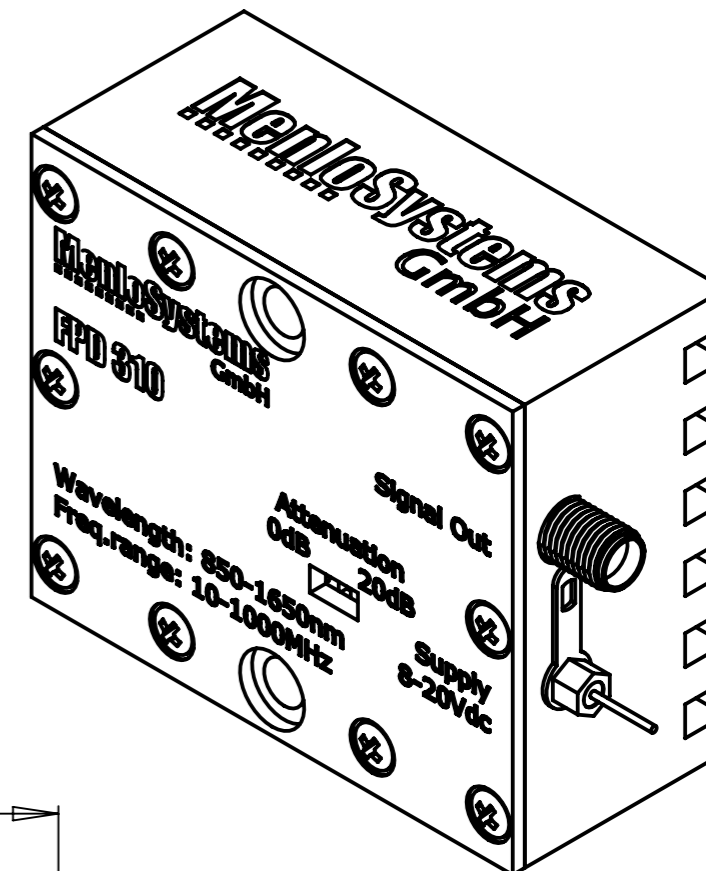
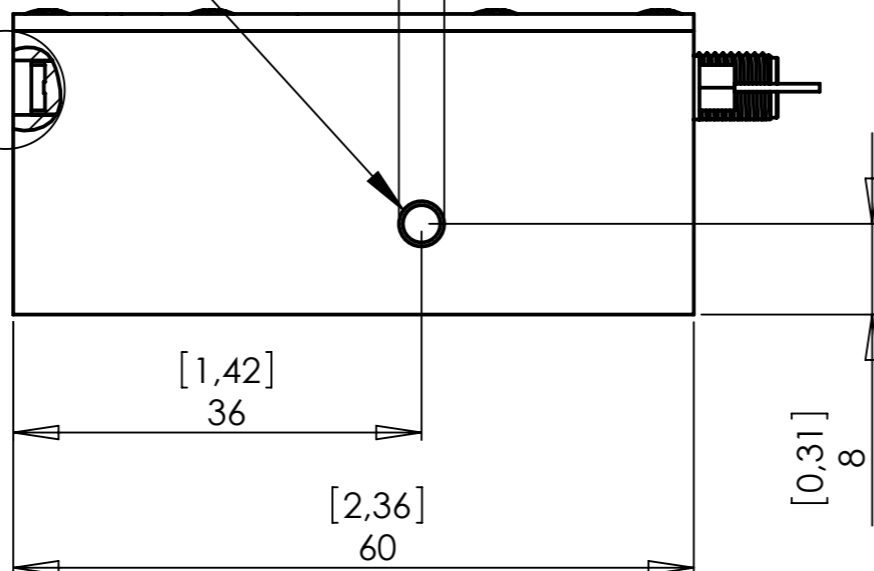
2,70 ±0,30



Mounting hole

M4 ∇ 8

A

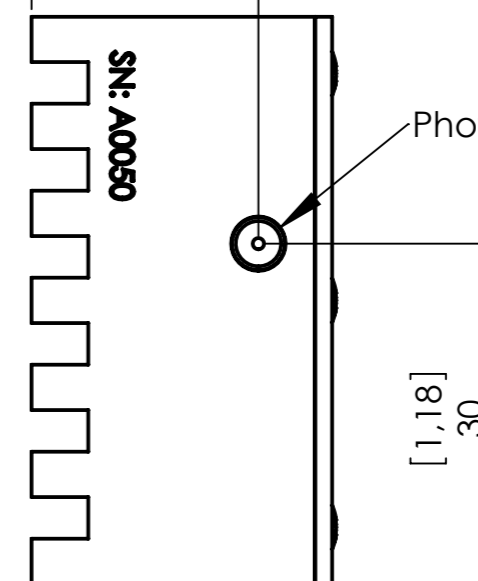
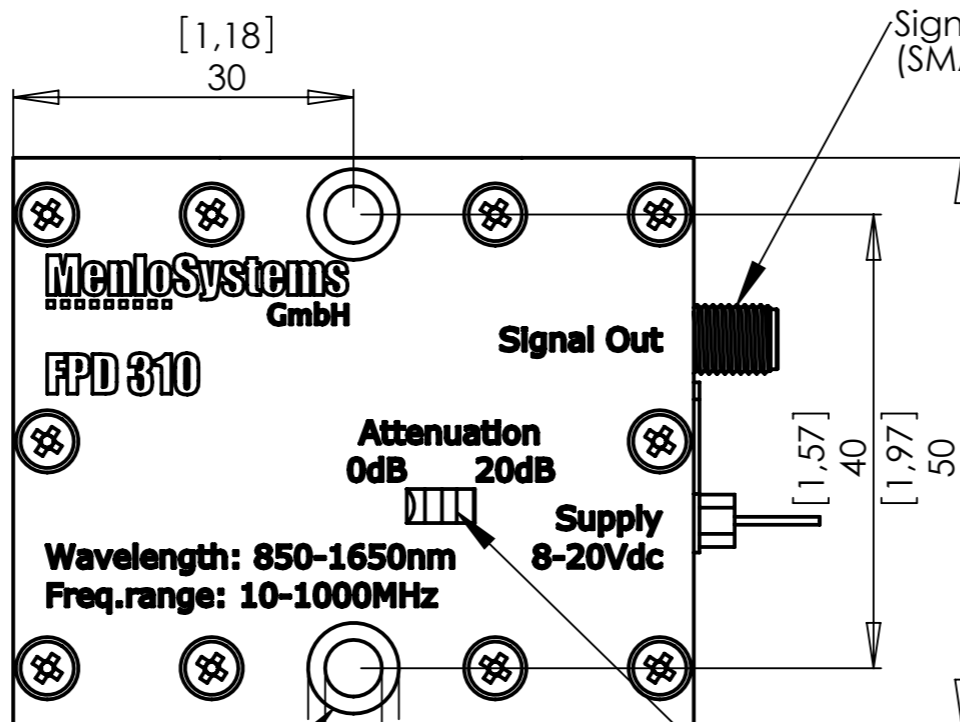
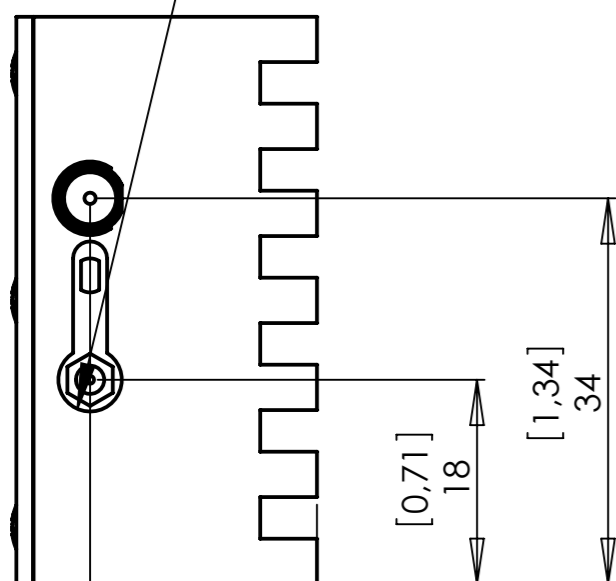


Power Supply
(Pin +8 to +20Vdc
Soldering Tag Ground)

Signal Out
(SMA)

[0,79]
20

Photo Diode



Mounting holes

Attenuation Switch
Operate with small pen.

[0,20]
∅5

[0,31]
∅8 ∇ 1,5

First Angle Projection!

Wenn nicht anders angegeben: Einheiten in Millimeter Oberfläche: Toleranzen: DIN ISO 2768 mK Linear: Winkel:		Oberflächenbehandlung:		Graffrei nach DIN6784 Außenkanten -0,2 Innenkanten +0,2		DO NOT SCALE DRAWING		REVISION	
DRAWN AW		DATE AW		NAME		DATE		TITLE: FPD310-F	
CHK'D AW		DATE AW		NAME		DATE		Tel.: 089/189 166-0 Tel.: 089/189 166-11	
APPV'D		DATE		NAME		DATE		DWG NO. 560053_00	
MFG		DATE		NAME		DATE		SCALE:3:2	
Q.A		DATE		NAME		DATE		SHEET 1 OF 1	
MATERIAL:		DATE		NAME		DATE		WEIGHT:	
DATE		DATE		NAME		DATE		A3	